



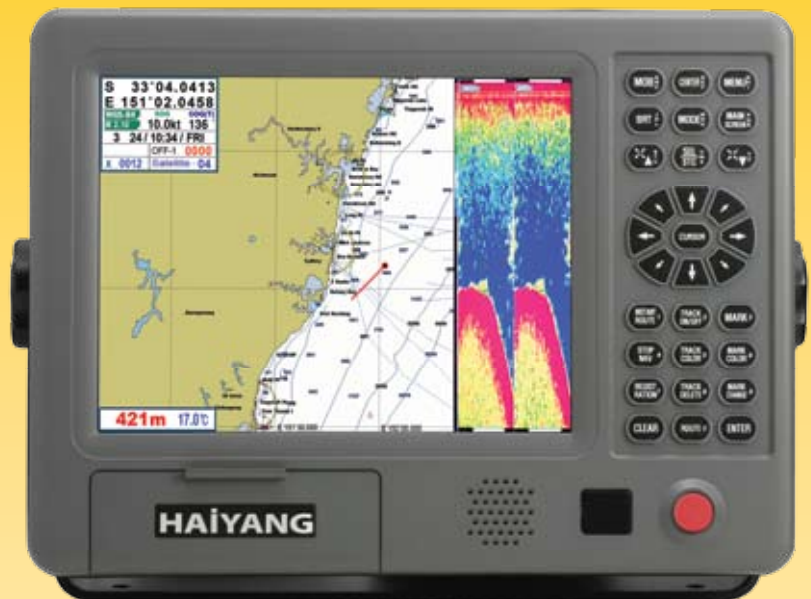
8" VGA GPS Chartplotter and Echo Sounder

Model: HGP-800 MKII Series

C-MAP&Built-in chart

Compact Design

Easy-to-operate



✓ Chartplotter

- ◆ C-MAP MAX (True Type Font supporting)
- ◆ World wide tide table including in the built-in chart
- ◆ CCTV camera function standard (MAX. 2)
- ◆ Remote display standard
- ◆ DGPS, SBBS(WAAS/EGNOS/MSAS) supporting
- ◆ USB(upgrade only) supporting
- ◆ Large Memory (MAX. 128MB)
- ◆ High Speed Zoom-in & zoom out
- ◆ Wire/Wireless remote controller (option)
- ◆ C-CARD or SMC/XD for back-up user data(WPT, Mark, etc)
- ◆ Multi-languages supporting
- ◆ Three kinds of chart available (built-in, external, C-MAP)

✓ Echo Sounder

- ◆ High analysis of the underwater (fish school, underwater objects, etc)
- ◆ Dual frequency (50/200KHz)
- ◆ Full/Split screen
- ◆ Fully automatic (gain, range, etc)
- ◆ High power (600W/1.2KW)
- ◆ Various screen display modes (normal, bottom lock, bottom zoom)
- ◆ Alarms & A-scope
- ◆ Water temperature display
- ◆ Rich color tones available from 16 and 8 color palettes



103-903 Bucheon Technopark 364 Samcheongdong Ojeonggu
Bucheon Gyeonggi, Korea
TEL : +82 2 324 0381 FAX : +82 32 327 4713
Web-site : <http://www.haiyang.co.kr>

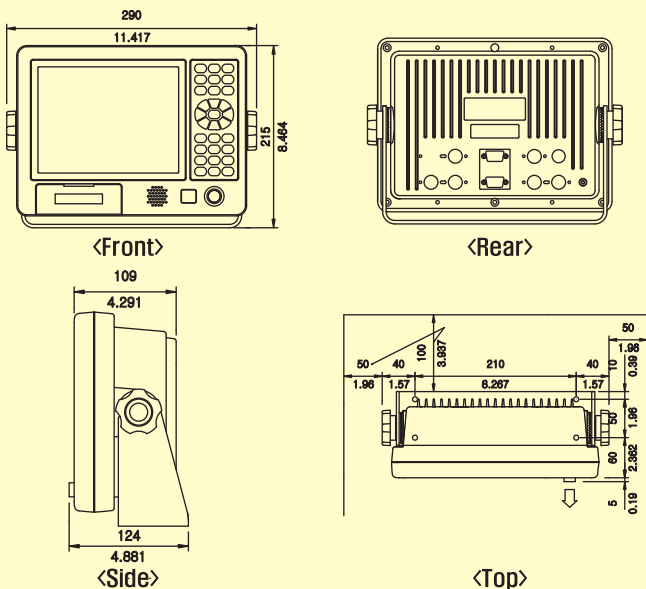
GENERAL SPECIFICATION

1. Display Screen
8 inch color TFT LCD (640 × 480 pixels)
2. Power Supply
DC 12V~36V(±10%), 12W(HGP-800)/24W(HGP-800F)
3. Operating Temperature
Display Unit -15°C~+50°C
Antenna Unit -25°C~+70°C
4. Performance Standard
IMO Resolution MSC.112(73)
5. Option
Wire/Wireless Remote Controller, SMC or XD,
Underwater Camera, Video-in (TV, VTR, DVD, etc)

CHARTPLOTTER SPECIFICATION

1. Display Method Mercado Projection
2. Display Mode
True motion / North up / Course up / Head up
3. Latitude Limits Between 85° N to 85° S
4. Map Scale 0.05nm to 500nm
5. Map Datum WGS-84
6. Waypoint 5,000 points
7. Event Mark 10,000 points
*Total of 16 colors and 16 icons are selectable each point with name tag (8 alphanumeric characters)
8. Track Point 50,000 points
9. Route Max capacity 100 Routes
*20 WPTs per each Route. Each with name tags (8 alphanumeric characters)
10. Draw Point 1,000 points
11. Area Name 1,000 points
12. Chart Data Built-in chart/C-MAP MAX/External chart(XD)
13. Output Data NMEA-0183
14. Input Data NMEA-0183
15. Alarm Arrival, Anchor, Off course, Interval timer

Display Unit



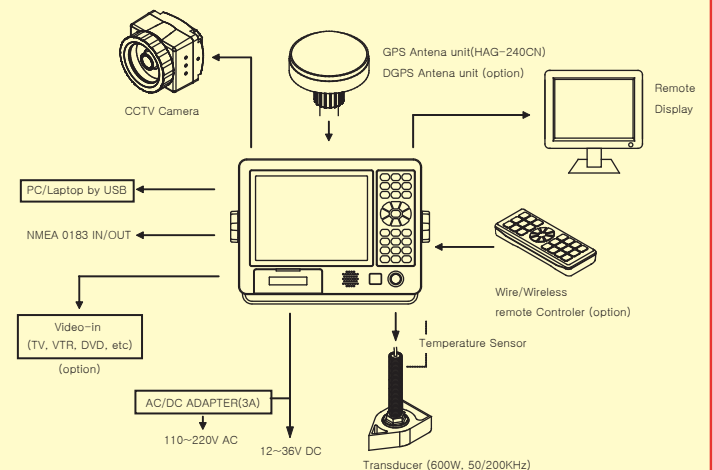
GPS RECEIVER SPECIFICATION

1. Receive Type
L1 frequency(1575.42MHz), C/A code
2. Number of Channel
16 channels
3. Accuracy
Position 2.5m CEP
DGPS/SBAS 2.0m CEP
4. Sensitivity
Acquisition -140 dBm
Tracking -149 dBm
5. Data Update Rate
1 Second
6. Support
DGPS, SBAS (WAAS, EGNOS)

ECHO SOUNDER SPECIFICATION (HGP-800F)

1. Display Mode
Normal (single/dual-frequency), Bottom-lock, Bottom-zoom, A-scope
2. Frequency
50 and 200 KHz (single or dual)
3. Output Power
600W (standard) / 1.2KW (option)
4. Range speed
600W : 2.5m ~ 600m
1.2KW : 2.5m ~ 1,200m (option)
5. Image speed
Fixed 8 speeds (4/1, 2/1, 1/1, 1/2, 1/4, 1/8, 1/16, 1/32) and stop
6. Interference rejection
3 levels
7. Noise rejection
4 levels
8. Function
Gain(auto/manual), range(auto/manual), depth with shift(auto/manual) pulse length selection, white/black line water temperature

Interconnection Diagram



*SPECIFICATIONS SUBJECT TO CHANGE WITHOUT NOTICE

Certified to ISO 9001/2000

Haiyang OLIX CO., LTD.
103-903 Bucheon Technopark 364 Samcheongdong Ojeonggu
Bucheon Gyeonggi, Korea
Tel : +82 2 3240381 Fax: +82 32 3274713
Web-site: <http://www.haiyang.co.kr>
E-mail: sales@haiyang.co.kr

04723H Printed in Korea